

bj·gear



AXO Gear Tooth Couplings

High efficiency, compact design,
solid and sturdy

Customisation is our standard

BJ-Gear A/S

BJ-Gear A/S manufactures stainless steel worm gearboxes of superior quality. The gearboxes are specifically developed for the food industry and other industries, that continuously make heavier demands to the resistance of material and to a design that is easy-to-clean.

The gearboxes are designed with a smooth, stainless steel gear housing and hollow shaft. The gearboxes are lubricated for life and can be supplied with a lubricant approved for the food industry. The oil sealings are made of nitrile rubber.

In order to reduce the risk of bacteria growth, the design is characterised by smooth surfaces without unnecessary flanges, recesses and mounting holes.

When a completely sanitary gear motor is required, the stainless steel worm gearbox can be fitted with a stainless AC motor or a servo motor.

AXO gear couplings

The gear coupling from BJ-Gear, The AXO gear coupling, is characterised by a compact design compared to its performance and is particularly good in small spaces and for transmission of very high torques. It is made entirely of steel and the teeth are arc-shaped permitting a misalignment of the shafts for max. 1.5°. The torque is from 358-12000 Nm, and they have a possible bore from 20-125 mm. The AXO couplings have a grease nipple for filling of grease, and they are very solid and easy to incorporate.



Technical specifications

BJ-Gear offers our AXO tooth coupling in high quality. The coupling series are with arc-shaped teeth and permits a misalignment of the shafts (max.1.5°). The coupling is characterised by a compact design compared to its performance.

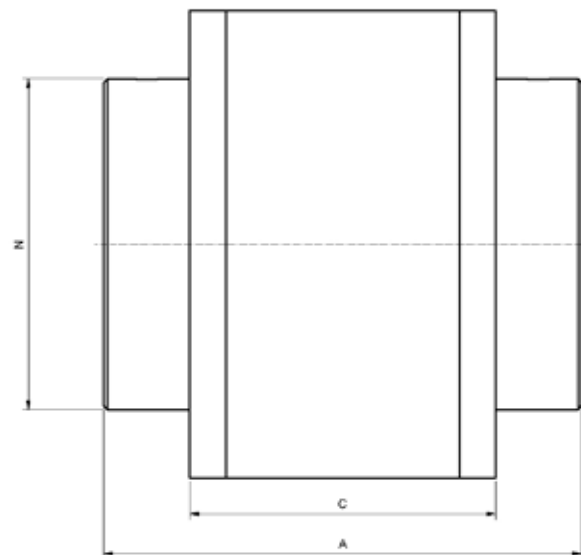
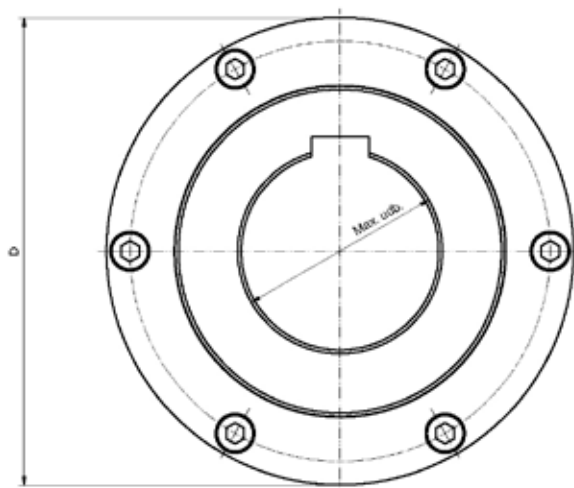
The AXO coupling is particularly good in small spaces and for the transmission of very high torques, due to the compact design. The AXO coupling is well suited for both horizontal and vertical mounting.

Features:

- Torque from 358-12,000 [Nm]
- Possible bore from 20-125 [mm]
- With grease nipple for grease filling*
- Compact design
- 100% steel
- Easy and simple to incorporate

The coupling must be filled with Glygoyle Grease 00 or similar*

Size	Max. Torque [Nm]	Pr 100 rpm [Nm]	Max Bore [mm]	Max Revolutions [rpm]	A max [mm]	A min [mm]	C [mm]	D [mm]	N [mm]	No. of screws	Screws	Weight [kg]
35	358	3,7	35	6,000	74	70	50	78	52	6	M4x10	2,1
50	1,290	13,5	50	5,500	104	100	70	114	82	6	M5x12	6,3
60	2,140	25	60	5,000	135	130	85	130	92	6	M6x12	9,4
75	3,580	37	75	4,000	145	140	85	148	110	6	M6x12	14
100	5,370	55	100	3,000	205	200	125	198	145	6	M8x16	36
125	12,000	125	120	3,000	245	240	125	230	175	6	M8x16	58



Please visit www.bj-gear.com where you can have information on our complete product programme. You are of course also most welcome to contact our specialists on phone No. +45 87 40 80 80 in order to find the right solution for your application.

bj·gear

Customisation is our standard



BJ-Gear A/S

Niels Bohrs Vej 47
DK-8660 Skanderborg, Denmark
VAT No. DK 10166470

Phone +45 87 40 80 80
Email bj@bj-gear.com
Website www.bj-gear.com

Copyright © 2022 BJ-Gear A/S. All product rights reserved. All data, illustrations, photos, drawings and statements are for general information only and subject to change without notice and should not be considered as a warranty or legal obligation of any kind.