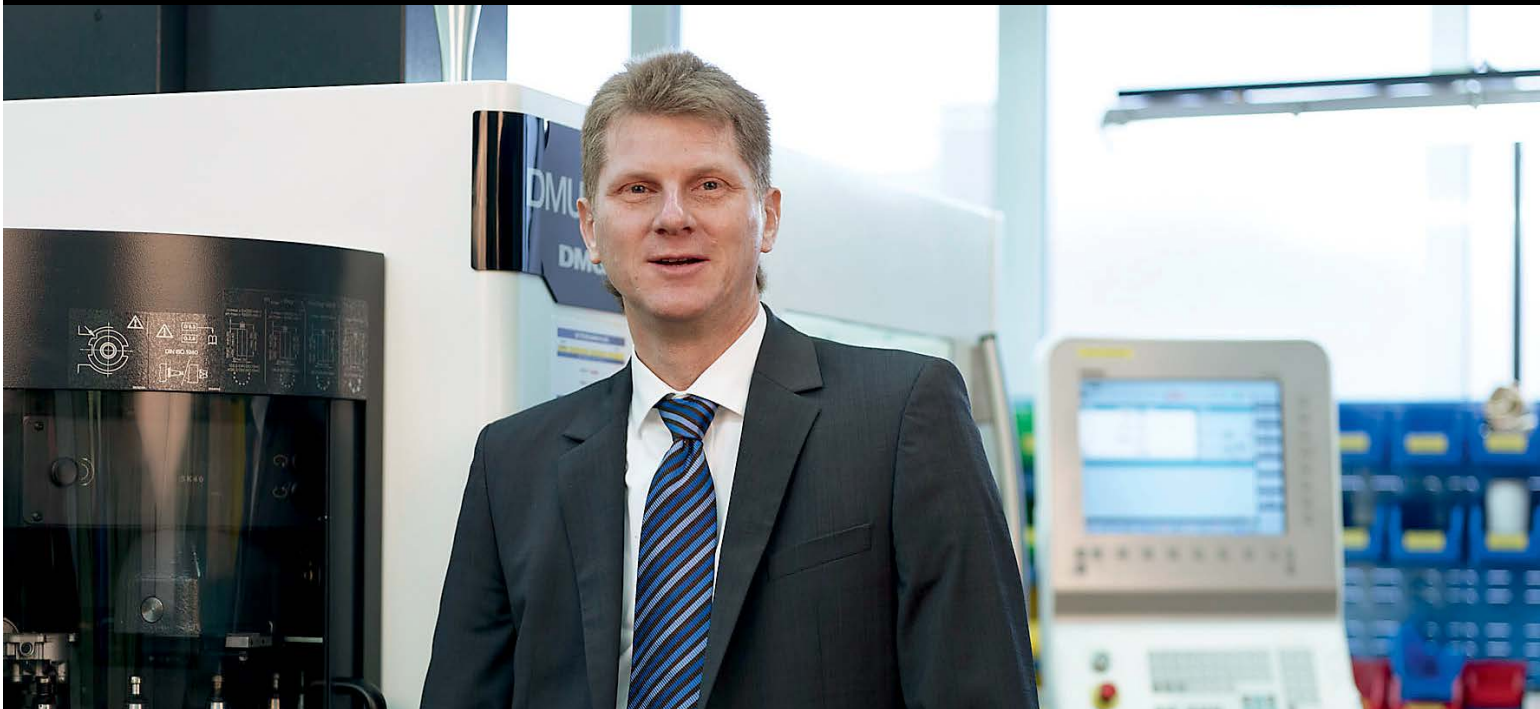


Overrunning Clutches and Backstops





COMPETENCE IS OUR STRENGTH

Stieber was founded in Munich in 1937 and is now a medium-sized company employing 140 people at its locations in Heidelberg and Garching near Munich.

Our core business activity is the design and production of drive elements for mechanical engineering systems.

Our major strength is the development and production of overrunning clutches and backstops, which transmit torque by means of friction.

Stieber can reflect on numerous innovative developments during the course of the company's history; innovations that have made it the European market leader. Stieber proved its technical ability once again during the development and design of the largest backstop in the world, for example. This and other backstops are being successfully used even under the toughest of conditions.

Stieber, part of the Altra Industrial Motion Group is – together with its sister companies Formsprag and Marland in the USA – the world's market leader for overrunning clutches and backstops.

Our extensive world-wide service network including more than 1000 stocking distributors and technical centres ensures we are always close to the customers.

Our company philosophy is total customer satisfaction. To achieve this, our processes undergo continual refinement. Stieber has been certified according to DIN EN ISO 9001 since 1997 and according to ISO 14001 (environment management system) since the year 2000. In addition, an internal monitoring process ensures that quality, timeliness and costs are always to the fore.

PRODUCTS

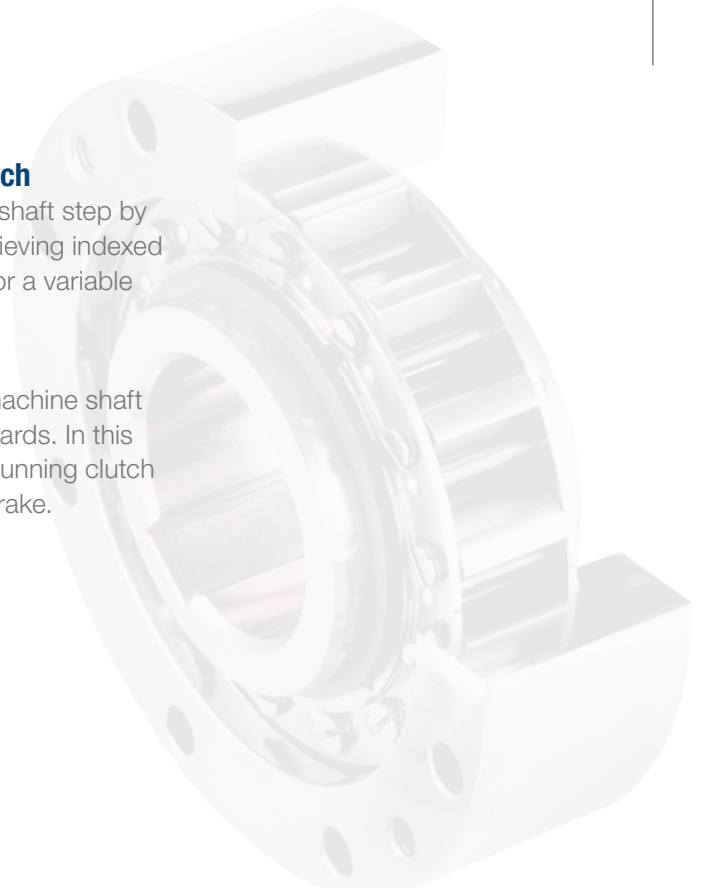
THE PRINCIPLE

Overrunning clutches are directional couplings, which means they are engaged and disengaged automatically, depending on the relative direction of rotation of the driving and driven sides.

Practical applications of this principle:

- **Overrunning clutch**
for multiple-machine drives or to separate the inertia of masses of a driven machine from the driving machine after it has been switched off.

- **Indexing clutch**
which turns a shaft step by step, thus achieving indexed material feed or a variable speed.
- **Backstop**
to prevent a machine shaft turning backwards. In this case the overrunning clutch is used as a brake.



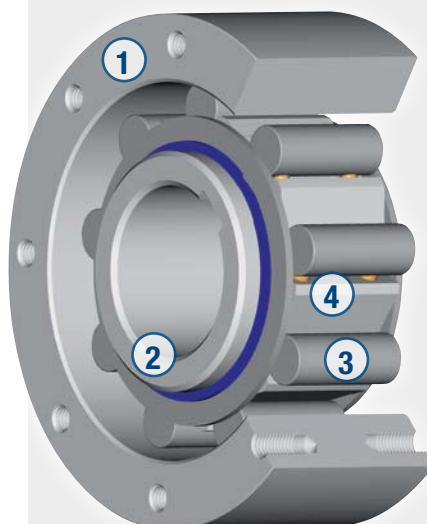
BASIC FORMS

To achieve the above-described functions, so-called locking elements are positioned between an outer and an inner race which effect engaging and disengaging.

These locking elements are in two basic designs:

- **Roller clutch**
which are mainly used as overrunning and indexing clutches.
- **Sprag clutch**
which are most suitable as backstops, here mainly the contact-free versions.

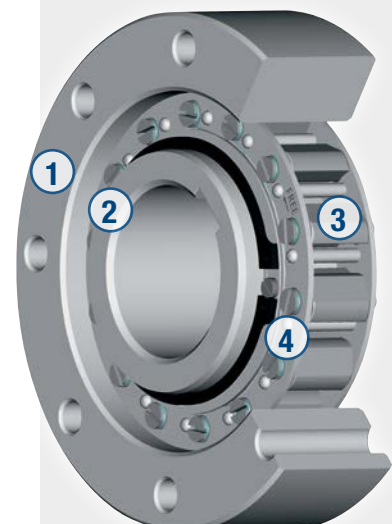
Roller clutch



1. Outer race
2. Inner race
3. Locking roller
4. Spring-loaded plunger

- Rugged
- Versatile
- High indexing accuracy
- High performance overrunning clutch

Sprag clutch



1. Outer race
2. Inner race
3. Sprag
4. Cage

- High overrunning speed
- High torque capacity
- High eccentricity tolerances
- Accepts many lubricants

OUR INNOVATIVE IDEAS LEAD TO FORWARD-LOOKING RESULTS

“Stieber is the only manufacturer of overrunning clutches in the world which is familiar with all clutch technologies such as roller and sprag clutch variants.

Our company has proven ability in the overrunning clutch technology sector. This is not least guaranteed by our team of extremely experienced engineers. Alongside development work and regular improvement of the basic forms, unique solutions have been found over the years, such as:

- Housing overrunning clutches with pump-less internal oil circulating lubrication
- Overrunning clutches that can be disengaged manually or pneumatically
- Load sharing and releasable backstops
- No-backs

More than 4,000 special designs have been developed for customer-specific applications. We can supply overrunning clutches with torques of between 0.8 and 1.7 million Nm – the best solution for your application.”



For us, customer support is not just an empty phrase. Which is why we always get excellent results.



The very latest CAD systems guarantee Stieber precision and quality.

DEVELOPMENT

PRODUCTION



QUICKLY AND ACCURATELY. THAT'S HOW **STIEBER** WORKS.

“Both standard catalogue products and customer-specific products are manufactured according to the very latest technical standards in our two factories. Our qualified employees manufacture your products with great care and responsibility.

Our commitment to continuous improvement means that our systems and processes are constantly under review. Over the past few years this has led to a 30% time saving in manufacture, for example.

The assembly and warehouse departments register requirements using a Kanban system. This improves the availability of standard parts and optimises on-schedule deliveries. If you purchase your overrunning clutches from Stieber, you can be sure you've come to the right place for absolute reliability for your machines and systems – guaranteed.”

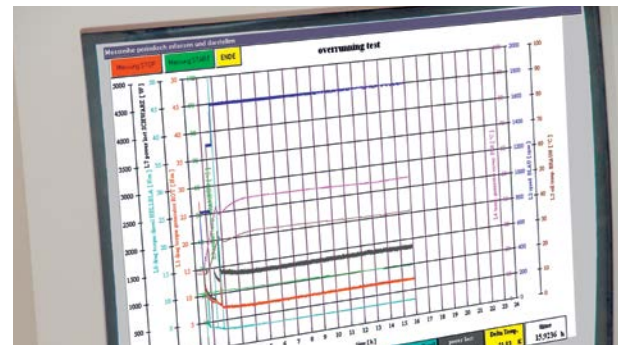


THE **QUALITY** HAS TO BE RIGHT. AND THAT'S SOMETHING YOU CAN RELY ON.

“Total quality is assured both by meeting prescribed product performance specifications and thanks to the reliability of manufacturing methods and process workflows including integrated tests. The key technical data of Stieber products are either calculated using FVA methods and/or verified on our test benches.

We have test machines with a torque capacity of up to 700,000 Nm. During idling, units with a bore up to 600 mm can be tested at speeds of up to 1,500 rpm. The modern equipment in our quality department allows us to carry out all the necessary tests ourselves, such as those for the nuclear power industry, for example. Thanks to this, Stieber has been certified by Areva among others in compliance with KT 1401.”

QUALITY



Test bench and test results:
Stieber products always fulfil the
promised properties.

REFERENCES



Conveyor belts
 Coal crushing equipment
 Pumps
 Rolling mills
 Seed drilling machines
 Rotary furnaces
 Silos
 Ventilators
 Forming machines
 Print machinery
 Engine test benches
 Car washing systems
 Round Balers
 Roller coasters
 Textile machines
 High-voltage switchgear
 Fitness equipment
 Winches
 Clay pigeon traps
 Automotive industry
 Aerospace
 Power station technology

MANY CUSTOMERS PUT THEIR TRUST IN STIEBER.

The application possibilities for Stieber overrunning clutches range from small office or fitness devices through to 3.0 MW heavy-duty machinery or conveyor belts 20 km long.

Many overrunning clutch designs have resulted from the application requirements of our customers, who have thus been able to find an optimum solution for their application using Stieber overrunning clutches.

Many leading machine manufacturers in a wide range of different areas of industry put their trust in Stieber. Such as Mr. Daebel from the company Heidelberger Druckmaschinen AG:

“We have been purchasing overrunning clutches from Stieber for more than 20 years now. The quality of the products has made a major contribution to keeping the reliability and durability of our machines at a high standard. In the case of new developments, Stieber reacts quickly, producing exemplary solutions which allow us to continually increase our machine performance.”

Just like “Heidelberg Druckmaschinen AG”, simply get in touch with us if you need standard or special overrunning clutches.

We look forward to being able to quote and supply you with the best solution for your application.

Stieber Facilities

Europe

Germany

Hatschekstraße 36
69126 Heidelberg - Germany
+49 (0) 6221-30470

*Overrunning Clutches
and Holdbacks*

Dieselstraße 14
85748 Garching
+49 (0) 8932-9010

North America

USA

23601 Hoover Road
Warren, MI 48089 - USA
586-758-5000

*Overrunning Clutches
and Holdbacks*

Asia Pacific

Australia

+61 2 9894 0133

China

+86 21 5169-9255

Hong Kong

+852 2615 9313

Singapore

+65 6487 4464

Taiwan

+886 2 2577 8156

Thailand

+66 2322 5527

The Brands of Altra Motion

Couplings

Ameridrives
www.ameridrives.com

Bibby Turboflex
www.bibbyturboflex.com

Guardian Couplings
www.guardiancouplings.com

Huco
www.huco.com

Lamiflex Couplings
www.lamiflexcouplings.com

Stromag
www.stromag.com

TB Wood's
www.tbwoods.com

Linear Systems

Thomson
www.thomsonlinear.com

Warner Linear
www.warnerlinear.com

Geared Cam Limit Switches

Stromag
www.stromag.com

Engineered Bearing Assemblies

Kilian
www.kilianbearings.com

Electric Clutches & Brakes

Matrix
www.matrix-international.com

Stromag
www.stromag.com

Warner Electric
www.warnerelectric.com

Deltran
www.thomsonlinear.com

Belted Drives

TB Wood's
www.tbwoods.com

Heavy Duty Clutches & Brakes

Twiflex
www.twiflex.com

Stromag
www.stromag.com

Svendborg Brakes
www.svendborg-brakes.com

Wichita Clutch
www.wichitaclutch.com

Gearing & Specialty Components

Bauer Gear Motor
www.bauergears.com

Boston Gear
www.bostongear.com

Delevan
www.delevan.com

Delroyd Worm Gear
www.delroyd.com

Nuttall Gear
www.nuttallgear.com

Engine Braking Systems

Jacobs Vehicle Systems
www.jacobsvehiclesystems.com

Precision Motors & Automation

Kollmorgen
www.kollmorgen.com

Miniature Motors

Portescap
www.portescap.com

Overrunning Clutches

Formsprag Clutch
www.formsprag.com

Marland Clutch
www.marland.com

Stieber
www.stieberclutch.com

Neither the accuracy nor completeness of the information contained in this publication is guaranteed by the company and may be subject to change in its sole discretion. The operating and performance characteristics of these products may vary depending on the application, installation, operating conditions and environmental factors. The company's terms and conditions of sale can be viewed at <http://www.altramotion.com/terms-and-conditions/sales-terms-and-conditions>. These terms and conditions apply to any person who may buy, acquire or use a product referred to herein, including any person who buys from a licensed distributor of these branded products.

©2019 by Stieber LLC. All rights reserved. All trademarks in this publication are the sole and exclusive property of Stieber LLC or one of its affiliated companies.